

UMBRA II

HIGH LUMEN SMD LED DOWNLIGHT

White

Brushed Nickel

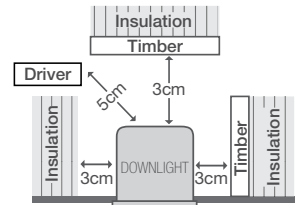
316 Stainless Steel

Anodised Aluminium



| | | | | | | | | | | | | |
|------|------------------------------|--|------------------------|------------------------|--|--|------|------------|-------------------------|------------------------------|--|--|
| 240V | 11W rated 14W w/driver | | 3000K WARM WHITE | 4200K COOL WHITE | | | 100° | CRI >82 | POWER FACTOR 0.95 | CONSTANT CURRENT 350mA | | |
| | | | 17835 | 17837 | | | | | | | | |

RECOMMENDED INSTALL CLEARANCES:



The ideal downlight for replacing existing fluorescent downlights, by providing a wide angled diffused beam.

- 50 x SMD 2835 LED Chips provide high quality light output
- SAA approved dimmable LED driver with 1m flex & plug.
- Long lasting up to 30,000 hours¹.
- 3 Year Warranty.

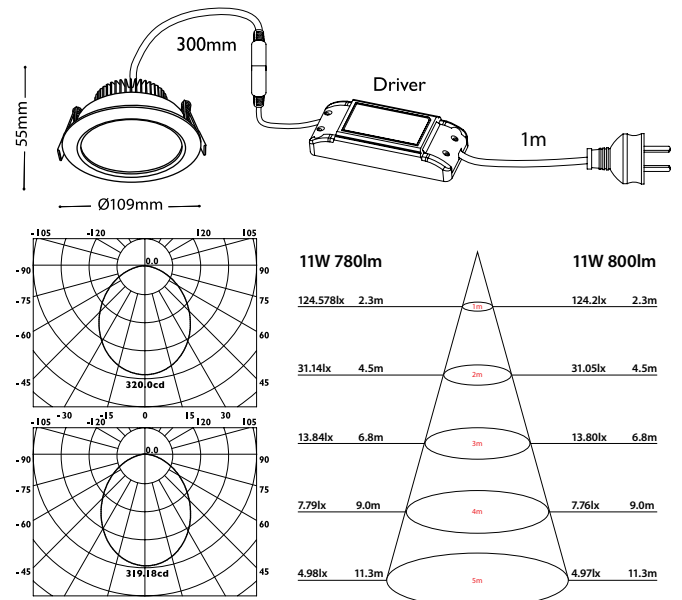
APPROVALS

VEET (ESC) 2597

ESS (IPART) 99103D12-UIAGJGFH

* Complies with AS/NZS 60598-1: 2008 and AS/NZS 60598-2-2: 2011 (50°C ambient).

| MODEL NO. | WATTAGE (W) | LUMINOUS FLUX (lm) | COLOUR TEMP (K) | FITTING COLOUR |
|-----------|-------------|--------------------|-----------------|----------------|
| 17835/05 | 11 | 780 | 3000 | WHITE |
| 17835/13 | 11 | 780 | 3000 | BRUSHED NICKEL |
| 17835/16 | 11 | 780 | 3000 | 316 STAINLESS |
| 17835/20 | 11 | 780 | 3000 | ANODISED ALUM. |
| 17837/05 | 11 | 800 | 4200 | WHITE |
| 17837/13 | 11 | 800 | 4200 | BRUSHED NICKEL |
| 17837/16 | 11 | 800 | 4200 | 316 STAINLESS |
| 17837/20 | 11 | 800 | 4200 | ANODISED ALUM. |



¹ Actual life may vary depending on individual circumstances.